

Data sheet

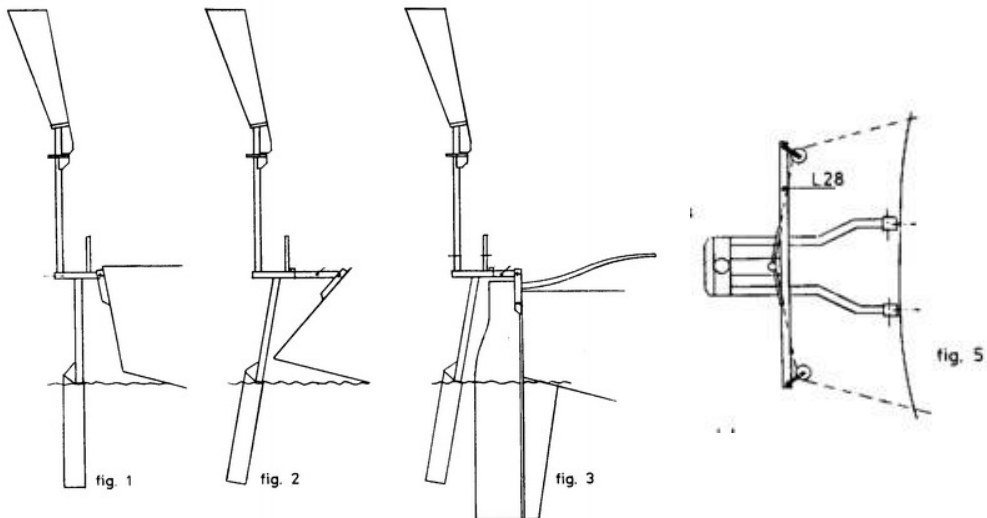
Personal data:

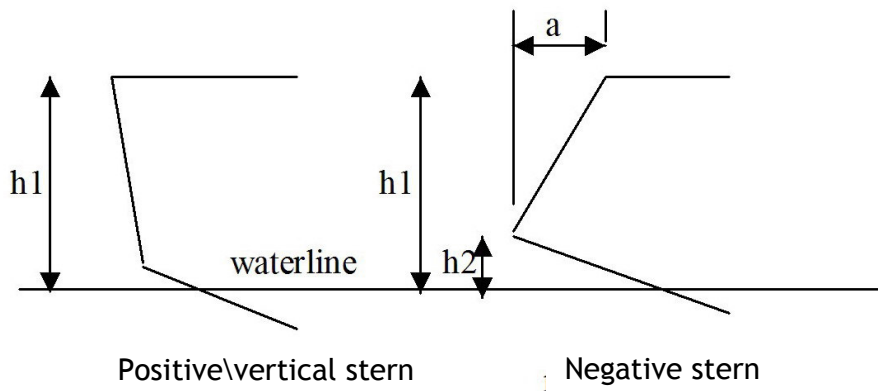
Name:	<input type="text"/>
Address:	<input type="text"/>
Country:	<input type="text"/>
Telephone:	<input type="text"/>
E-mail:	<input type="text"/>

Boat data:

Brand + type:	<input type="text"/>		
Length hull:	<input type="text"/>	m	
Length waterline:	<input type="text"/>	m	
Displacement:	<input type="text"/>	kg	
Mizzen mast:	yes / no	Length aft top stern/deck:	<input type="text"/> m
<i>(include drawing please)</i>		Height boom above water:	<input type="text"/> m
Rudder type:	spade rudder / rudder with skeg / transom hung rudder / full keel hung rudder		
Stern type:	vertical / positive / negative		
Cockpit:	aft cockpit / centre cockpit		
Steering:	tiller / wheel mechanic / wheel hydraulic		

Note: If transom hung rudder, swimming platform, open stern or any unusual stern situation, please include drawing with all measurements.





h1: Measurement top stern - water:	<input type="text"/>	m
If negative stern (figure 2 and 5):		
h2: Measurement bottom stern - water :	<input type="text"/>	m
a: "horizontal stern length":	<input type="text"/>	m
If transom hung rudder (figure 3 and 5)		
"Outboard length":	<input type="text"/>	m
Height rudder/helm above deck:	<input type="text"/>	m

Notes:

SEND TO FAX NUMBER: +31 74 250 4992